

RYNO CRADLE / HITCH (MOUNT) EXCAVATOR PILING CRADLE

Developed for faster connection to the auger or pile, the Ryno Cradle Hitch has been designed to handle the torsional loads of anchors and screw piling.

The Ryno Hitch front cradle allows the operator to angle the drive up to 90 degrees for easy connection to augers or anchors while a rear cradle stops the auger drive or anchor from swinging about whilst manoeuvring over uneven terrain.



FEATURES

- Compact high torque Digga manufactured
- Compact, provides operator with faster connection to the auger/pile
- Safer, no more standing piles or large augers with persons or machinery for connection to drive
- Extra Heavy Duty, fully engineered design
- Premium Grade Steel

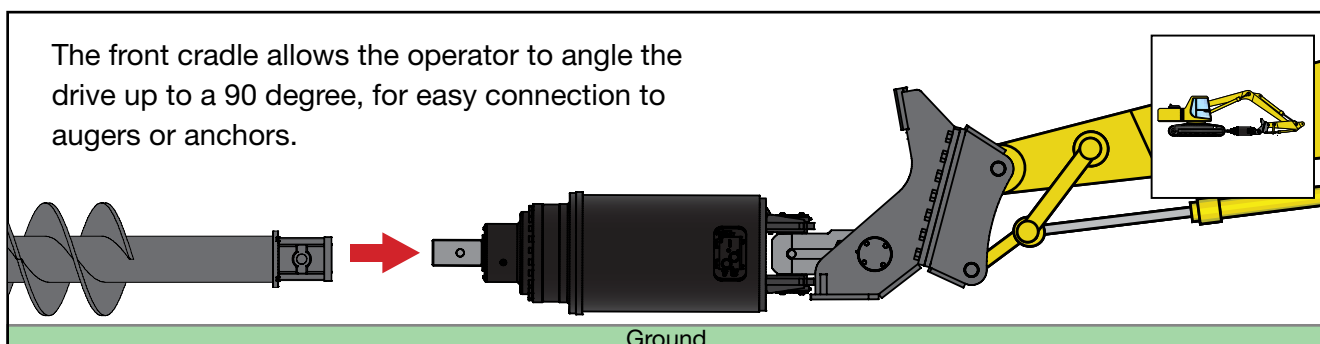
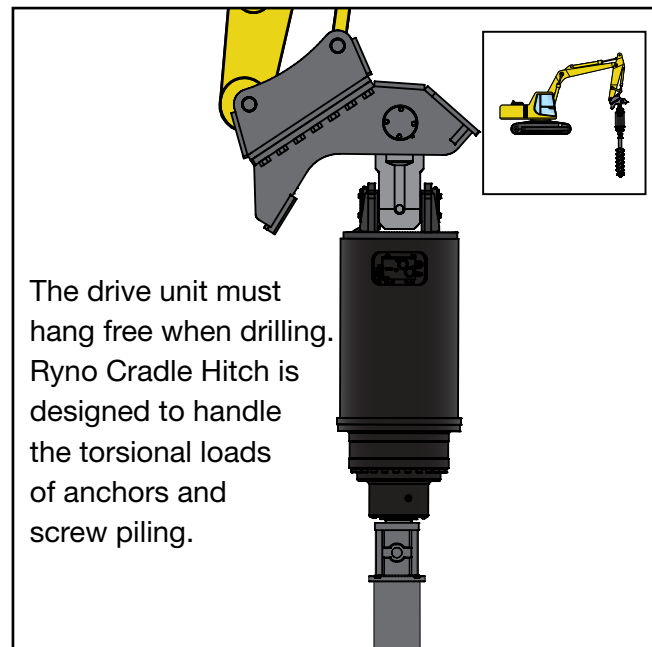
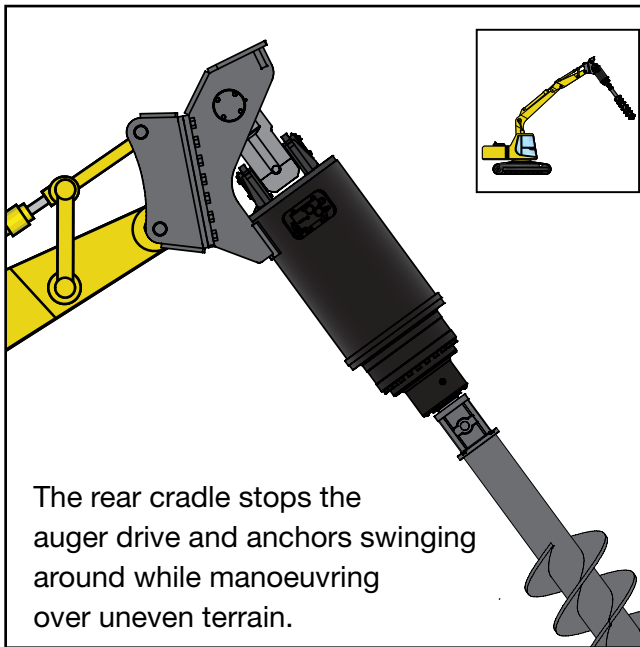
IDEAL USE

- Augering, screw anchoring, piling, foundation drilling

DRIVE SUITABILITY

- Premium drives, Supa Mega, Ultra, and Xtreme drives (5,000lbs - 375,000lbs)

3 CRADLE POSITIONS



RYNO CRADLE / HITCH (MOUNT) EXCAVATOR PILING CRADLE

DIGGA
CONSTRUCTION GRADE
MACHINERY ATTACHMENTS

TOTAL SOLUTION

Digga can provide both the mounting hitch to the excavator & the Ryno Hitch.

